

zenith

NX

www.CityJunk.com.my





www.CityJunk.com.my

live green, work green
love green



SMART. VERSATILE. RESPONSIBLE

The Zenith chair is both a comfortable and expressive choice. Its top characteristics includes its universal appeal, wide range of application, and fantastic scope of colour.

www.CityJunk.com.my



THE PALETTE OF COLOURS

Work can be dull sometimes. The cycle of going through the motion day after day. We reckon that work life actually can be fun, cheery and colourful by breaking the habit.

ZENITH
Colour your work!

www.CityJunk.com.my



FLAUNT YOUR
STYLE. BE BOLD,
BE YOURSELF.

In business today, it's all about the appearance. Projecting the right image for your people, your space and your company.

With endless aesthetic and performance options, Zenith works seamlessly with any interior space. Its understated modern design speaks volumes without screaming for attention.

Adjustable Headrest

Adjustable headrest that able to support the head and neck as users recline.

4D Adjustable Armrest

Telescope in and out, move forward and back, pivot, and adjust up and down which provides natural position that comfortably supports the wrists, forearms, shoulders and neck.



Seat Slider

Adjustable seat depth that accommodates different body shapes for long-hours comfort.

Mechanism

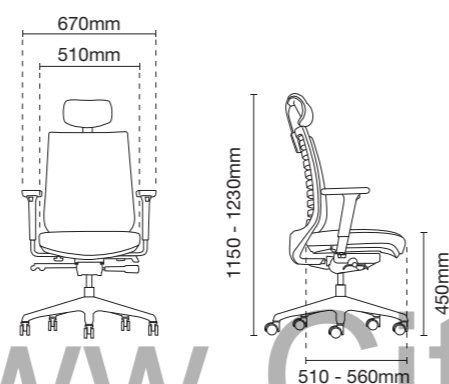
Self-weight adjustment synchronized mechanism with 3 tensions level adjustable knob and multi-locking system designed to adapt your body weight automatically.

www.CityJunk.com.my

**ZN8210L - 14D98**

Presidential high back

- AB14 aluminium base
- D98 4D aluminium adjustable armrest
- MH024S self weight adjustment synchronized mechanism with seat slide (multi-locking)
- PU / leather applicable to headrest and seat only

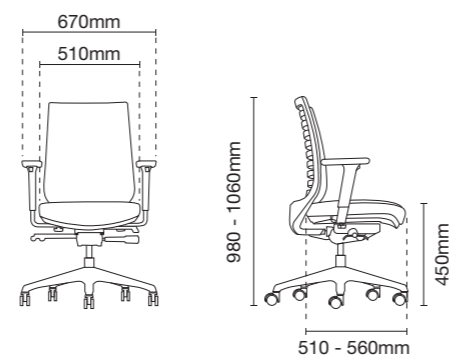


www.CityJunk.com.my

**ZN8211L - 14D98**

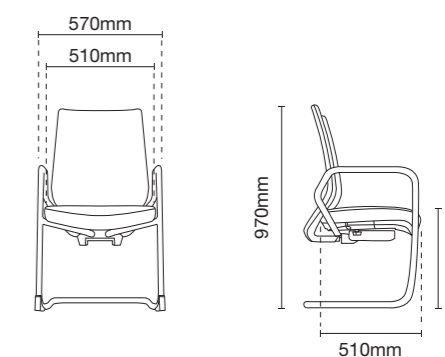
Presidential medium back

- AB14 aluminium base
- D98 4D aluminium adjustable armrest
- MH024S self weight adjustment synchronized mechanism with seat slide (multi-locking)
- PU / leather applicable to seat only

**ZN8213L - 85CA**

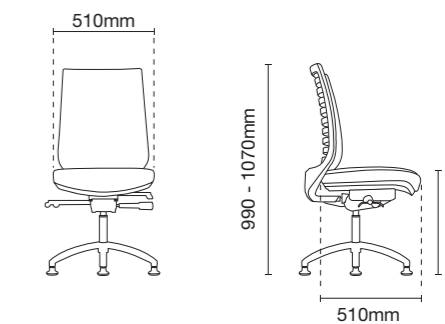
Visitor / Conference chair with arm

- 85CA chrome cantilever base
- PU / leather applicable to seat only

**ZN8213L - 90C**

Visitor / Conference chair with arm

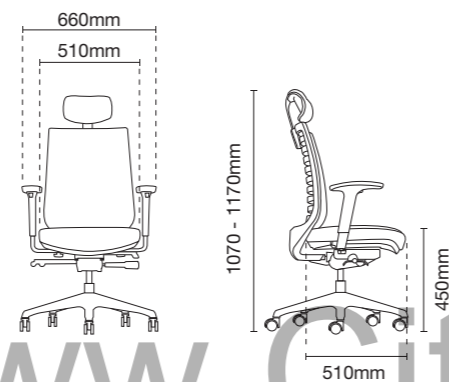
- 90C 4 pronged aluminium base with stud
- MH024S self-weight adjustment synchronized mechanism with seat slide (multi-locking)
- PU / leather applicable to seat only



**ZN8210N - 24D36**

Presidential high back

- NB24 nylon base
- D36 adjustable nylon armrest
- MH026 self-weight adjustment synchronized mechanism (3 lockings)
- Fabric applicable to headrest and seat only

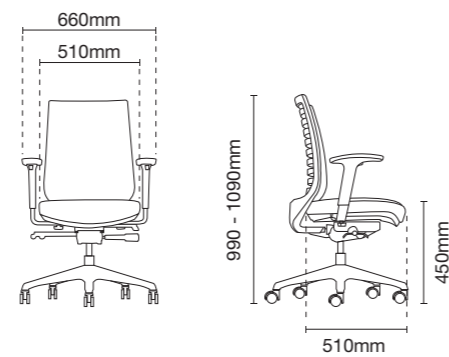


www.CityJunk.com.my

**ZN8211N - 24D36**

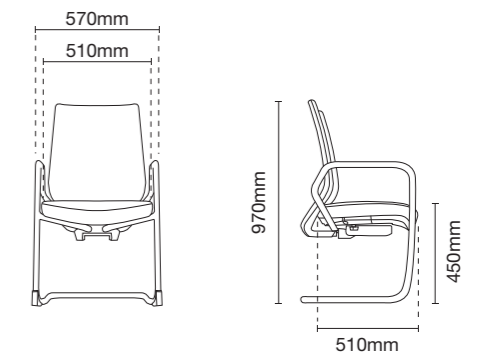
Presidential medium back

- NB24 nylon base
- D36 adjustable nylon armrest
- MH026 self-weight adjustment synchronized mechanism (3 lockings)
- Fabric applicable to seat only

**ZN8213N - 85EA**

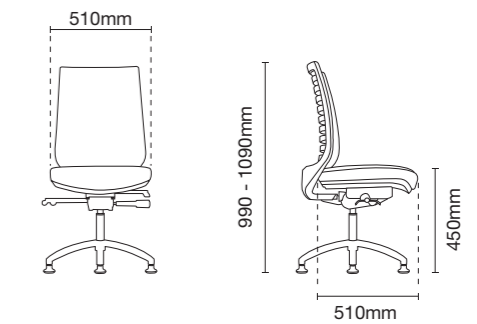
Visitor / Conference chair with arm

- 85EA epoxy cantilever base
- Fabric applicable to seat only

**ZN8213N - 90C**

Visitor / Conference chair with arm

- 90C 4 pronged aluminium base with stud
- MH026 self-weight adjustment synchronized mechanism (3 lockings)
- Fabric applicable to seat only





Adjustable Headrest

The height adjustable headrest allows precise adjustments of the height, giving comfort and support to neck and head at any seating position. (Pic 1)

4D Adjustable Armrest with Polyurethane Armpad

Telescope in and out, move forward and back, pivot, and adjust up and down which provides natural position that comfortably supports the wrists, forearms, shoulders and neck. (Pic 2, 3, 4)

Nylon Adjustable Armrest

Nylon adjustable armrest with polyurethane armpad to enhance support with best comfort (Pic 5)

5 Pronged Base

5 pronged base in either nylon or die-cast polished aluminium finish, generates by highly sophisticated ambience to provide strong stability. (Pic 6, 7)

4 Pronged Base

4 pronged base in die-cast polished aluminium finish, generates by highly sophisticated ambience to provide strong stability. (Pic 8)

Polyurethane Coloured Castors or Stud

Both the 50mm polyurethane coloured dual-wheel castors and studs are designed for smooth gliding and also reduce floor scratches. (Pic 9, 10)

Coloured Backrest Strip Frame & Capping

Polypropylene backrest frame and capping with various colour to enhance the elegant design of the chair (Pic 11)

Adjustable Seat Depth / Slider Mechanism

Using a simple lever under the seat, user can easily adjust the depth of the seating to accommodate his sitting preference and comfort. (Pic 12)

Self-Weight Tilting Mechanism

Self-weight adjustment synchronized mechanism with 3 tensions level adjustable knob and multi-locking system designed to adapt your body weight automatically. (Pic 13, 14, 15)

Auto Self-Weight Tilting Mechanism

Self-weight adjustment synchronized mechanism with 3 lockings system that smartly calculates to user weight without the weight tension knobs. (Pic 16, 17)

Height Adjustable Pneumatic Cylinder

Imported heavy duty pneumatic cylinder designed with safety and durability features, allows for height adjustment of the chair to suit each users physique. (Pic 18)

Polyurethane Moulded Foam

High density polyurethane moulded foam come with fire retardant feature, gives the seat flexibility to conform user seating posture, provides great support and best comfort even for long seating hours. The black finish seat cover below is designed for greater protection to the foam, quality upholstery and user safety. (Pic 19)

www.CityJunk.com.my